

ULTRA LED™ Motion Sensor PAR38



Features & Benefits

- Quick and easy installation in standard E26 socket
- Flood beam angle
- Turns off after 90 seconds when motion is not detected
- Long life up to 25,000 hrs (L₇₀)
- 10' to 15' detection range
- Ideal for flood lighting applications such as driveways, back yards, parking lots, and porches in both residential and commercial applications
- Wet Rated for Indoor and Outdoor use



Product Features

SYLVANIA ULTRA LED Motion Sensor PAR38 lamp detects motion and illuminates. The built in motion sensor has a Flood (40°) angle of sensing, with a range of 10-15 feet. The lamp turns on when it detects movement and stays on for 90 seconds then turns off when movement is no longer detected.

The LED Motion Sensor PAR38 is ideal for illuminating driveways, back yards, parking lots, and porches without the need to physically turn on the light switch. The bulb can also be used for security and safety purposes when an area is hazardous without any lighting.

These 11.5W lamps deliver 1050 lumens with a color temperature of warm white 3000K and a long rated life of 25,000 hours (L₇₀).

Application Information

Applications

- Flood lighting
- General lighting
- Recessed downlights
- Track lighting

Application Notes

1. Operating temperature range between -20°C and +45°C (-4°F and + 113°F)
2. Not for use in totally enclosed fixtures
3. Not for use in dimming applications
4. Suitable for wet locations
5. Not for use with emergency light fixtures or exit lights



Specification Data

Catalog #	Type
Project	
Comments	
Prepared by	

Ordering Information

Item Number	Ordering Abbreviation	Wattage (W)	Lumens	Replaces	Input Voltage	Beam Angle	CBCP	CCT	CRI	Dimmable	Avg Rated Life (hrs) L ₇₀	ENERGY STAR®
40195	LED11.5PAR38/MOT/830/W/RP	11.5	1050	100W	120V	40°	1800	3000K	80	No	25,000	Yes

Ordering Guide

LED	11.5	PAR38	/	MOT	/	8	30	/	W	/	RP
LED	Wattage	Lamp Type		Motion		CRI >80	Color		Wet		Retail
Lamps	11.5	PAR38		Sensor			Temperature		Rated		Packaging

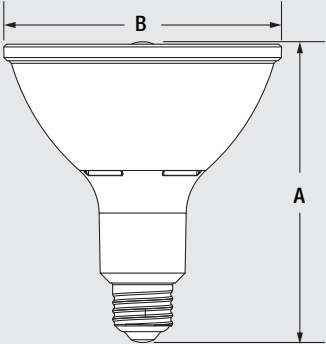
Energy Savings

Basic Product Description	LED Life (hrs.)	LED Lumens	Similar Halogen	Incandescent Life (hrs.)	Watts Saved	Energy Savings*	LED Life vs. Incandescent
LED11.5PAR38	25,000	1050	100W	2500	88.5	\$140	10x

*Energy savings over life of lamp calculated at \$0.11/kWh

Lamp Dimensions

	(A) MOL (inches)	(B) Diameter (inches)
LED11.5PAR38	5.16	4.76



LEDVANCE LLC
 200 Ballardvale Street
 Wilmington, MA 01887 USA
 Phone 1-800-LIGHTBULB (1-800-544-4828)
 www.sylvania.com

SYLVANIA and LEDVANCE are registered trademarks.
 All other trademarks are those of their respective owners.
 Licensee of product trademark SYLVANIA in general lighting.
 Specifications subject to change without notice.

[/sylvania](#) [/sylvania](#)

