

SYLVANIA SMART⁺ ZigBee[®] Wrap Adjustable White Fixture



Experience intelligent, connected lighting solutions in your home with SYLVANIA SMART⁺ connected lights and accessories. Using a ZigBee[®] compatible home automation hub, easily set up your devices to accommodate your daily routine by creating schedules and automations that fit your lifestyle. Our ZigBee smart home lighting products can be combined with many other ZigBee devices and platforms to build the ultimate smart home automation system.

Key Features & Benefits

- Smart lighting controlled by smartphone or tablet, as well as through voice integration
- Compatible with major smart home automation systems
- Create schedules and light scenes to enhance your experience. Group lights to control them all at once
- SMART⁺ System is controllable from inside the home or on the go
- Available in 2ft and 4ft lengths
- Tool-less entry allows for quick and easy installation
- On/Off/Dimming functions
- LED lamp adjustable between soft white, bright white, and daylight white
- Color temperature tunable between 2700-6500 Kelvin
- Life: 50,000 hours rated life*
- CRI 80+

Product Offering

Ordering Abbreviation	Wattage	CCT	Contains
SMART ⁺ Wrap Fixture 2' ADJW	18	2700-6500K	1 LED Wrap Fixture
SMART ⁺ Wrap Fixture 4' ADJW	26	2700-6500K	1 LED Wrap Fixture

Application Information

Applications

- Hospitality
- Office
- Education
- Retail
- Small business

Application Notes

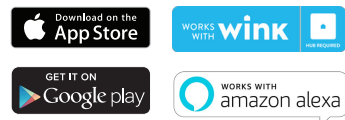
1. SMART⁺ Wrap requires ZigBee compatible home automation hub (sold separately)
2. Product activation requires active WiFi Network and ZigBee compatible home automation hub (must be placed in range of wireless router)
3. Suitable for use in damp locations
4. Not intended for use with dimmers, emergency light fixtures or exit lights
5. Lamp dims via wireless control and will not operate with a dimmer switch; remove all existing dimmers and replace with a regular switch; leave lamp in ON position
6. To prevent product malfunction and/or electrical shock this product must be properly grounded

This device complies with part 15 of the FCC Rules. Operation is subject to the following two conditions: (1) This device may not cause harmful interference, and (2) this device must accept any interference received, including interference that may cause undesired operation. For FCC Part 15 user information, please see www.sylvania.com/fcc15b.

Specifications and Certifications



Contains:
FCC ID: DZO-LDV-AETHER
IC: 11099A-LDVAETHER



Catalog #	Type
Project	
Notes	
Date	
Prepared by	

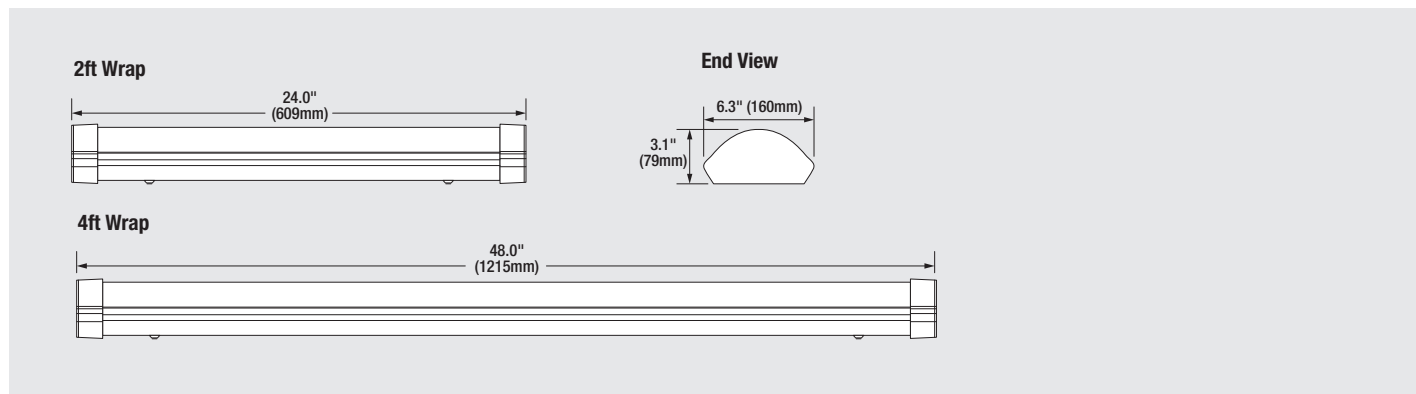
Ordering Information

Item Number	Ordering Description	Wattage	Lumens	LPW	Input Voltage	CCT	CRI	Life (hrs)
XXXXX	LEDWRAP18WADJW2FTZBS+	18W	2160	120	120-277V	2700K-6500K	80+	50,000
XXXXX	LEDWRAP26WADJW4FTZBS+	26W	3120	120	120-277V	2700K-6500K	80+	50,000

Ordering Guide

LED	WRAP	XX	ADJW	XX	ZB	S+
LED	Lamp Type Wrap Fixture	Wattage 18W, 26W	Adjustable White	Dimensions 2ft, 4ft	ZigBee	SMART+

Lamp Dimensions



LEDVANCE LLC
 200 Ballardvale Street
 Wilmington, MA 01887 USA
 Phone 1-800-LIGHTBULB (1-800-544-4828)
 www.sylvania.com

SYLVANIA and LEDVANCE are registered trademarks.
 All other trademarks are those of their respective owners.
 Licensee of product trademark SYLVANIA in general lighting.
 Specifications subject to change without notice.

[/sylvania](#) [/sylvania](#)

