

SYLVANIA SMART+ ZigBee® Clear A19

Soft White Lamp



Experience intelligent, connected lighting solutions in your home with SYLVANIA SMART+ connected lights and accessories. Using a ZigBee® compatible home automation hub, easily set up your devices to accommodate your daily routine by creating schedules and automations that fit your lifestyle. Our ZigBee smart home lighting products can be combined with many other ZigBee devices and platforms to build the ultimate smart home automation system.

Key Features & Benefits

- Smart lighting controlled by smartphone or tablet, as well as through voice integration
- Compatible with major smart home automation systems
- Create schedules and light scenes to enhance your experience. Group lights to control them all at once
- SMART+ System is controllable from inside the home or on the go
- On/Off/Dimming Functions
- Color Temperature: 2700K
- Life: 15,000 hours rated life*
- CRI: 80+

Product Offering

Ordering Description	Wattage	CCT	Contains
SMART+ Clear A19 Soft White	6	2700K	1 Clear A19 LED Lamp

Application Information

Applications

- Table Lamp
- Pendant Lamp
- Wall Sconce

Market Segments

- Residential
- Small business
- Hospitality

Application Notes

1. SMART+ Clear A19 requires ZigBee compatible home automation hub (Sold separately)
2. Product activation requires active WiFi Network and ZigBee compatible home automation hub (must be placed in range of wireless router)
3. 2-year limited product warranty
4. Suitable for use in damp locations
5. Not intended for use with dimmers, emergency light fixtures or exit lights
6. Do not install in totally enclosed fixtures
7. Lamp dims via wireless control and will not operate with a dimmer switch, remove all existing dimmers and replace with a regular switch, leave lamp in ON position

This device complies with part 15 of the FCC Rules. Operation is subject to the following two conditions: (1) This device may not cause harmful interference, and (2) this device must accept any interference received, including interference that may cause undesired operation. For FCC Part 15 user information, please see www.sylvania.com/fcc15b

*LED Lamp lifetime is defined as the number of hours when 50% of a large group of identical lamps reaches 70% of its initial lumens.

Specifications and Certifications



Contains:
FCC ID: DZO-LDV-AETHER
IC: 11099A-LDVAETHER



Specification Data

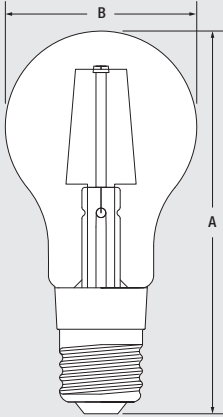
Catalog #	Type
Project	
Comments	
Prepared by	

Ordering Information

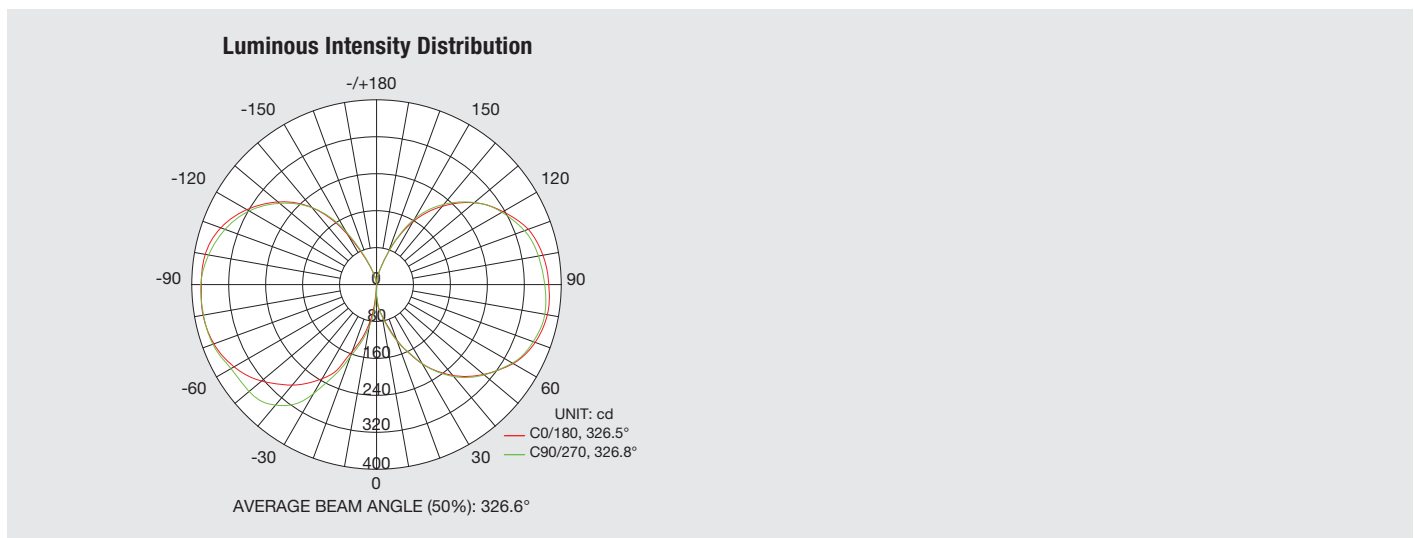
Item Number	Ordering Description	Wattage	Lumens	CCT	CRI	Life (hrs.)
XXXXX	LED6A19FDIMZBS+	6	650	2700K	80+	15,000

Lamp Dimensions

	(A) MOL inches (mm)	(B) Diameter inches (mm)
ZigBee Clear A19	4.72 (120)	2.36 (60)



Photometric Information



LEDVANCE LLC
 200 Ballardvale Street
 Wilmington, MA 01887 USA
 Phone 1-800-LIGHTBULB (1-800-544-4828)
www.sylvania.com

SYLVANIA and LEDVANCE are registered trademarks.
 All other trademarks are those of their respective owners.
 Licensee of product trademark SYLVANIA in general lighting.
 Specifications subject to change without notice.

[/sylvania](https://twitter.com/sylvania) [/sylvania](https://facebook.com/sylvania)

