

SYLVANIA SMART+ Bluetooth® Smart Sensor

Motion and Daylight, Works with Apple® HomeKit™



Key Features & Benefits

- Compatible with Apple HomeKit
- Bluetooth protocol, no hub required, easy set-up
- Voice control using Siri
- Away-from-home control via AppleTV®, Apple iPad®, or Apple HomePod®
- Group lights and accessories, setting them to turn On/Off, based on whether motion is or is not detected
- Lithium battery included
- For indoor use only

Experience intelligent, connected lighting solutions in your home with HomeKit-enabled SYLVANIA SMART+ connected lights and accessories. With Apple HomeKit, easily connect your accessories using your Apple device to begin creating schedules and automations to accommodate your daily lifestyle. Our HomeKit-compatible smart home lighting products can be combined with other HomeKit accessories to build the ultimate smart home automation system.

Product Offering

Ordering Description	Contains
SYLVANIA SMART+ Bluetooth® Motion Sensor	1 Smart Sensor including battery, mounting screws / tape

Application Information

Applications

- Living Rooms
- Bedrooms
- Bathrooms
- Kitchens
- Offices
- Storage
- Garages

Application Notes

1. SMART+ Smart Sensor requires an iOS 10.3, or later, Apple® device
2. 2-year limited product warranty
3. For indoor use only

This device complies with part 15 of the FCC Rules. Operation is subject to the following two conditions: (1) This device may not cause harmful interference, and (2) this device must accept any interference received, including interference that may cause undesired operation. For FCC Part 15 user information, please see www.sylvania.com/fcc15b.

Market Segments

- Residential
- Small business

Specifications and Certifications



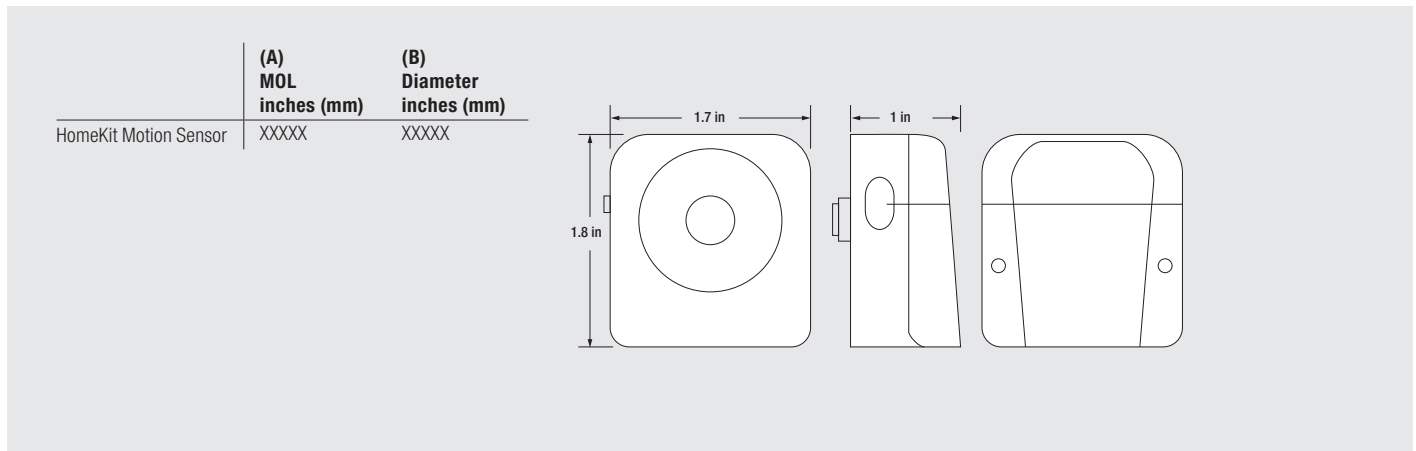
Specification Data

Catalog #	Type
Project	
Comments	
Prepared by	

Ordering Information

Item Number	Ordering Description
XXXXX	SMARTSENSORHOMEKITBLES+

Lamp Dimensions



LEDVANCE LLC
200 Ballardvale Street
Wilmington, MA 01887 USA
Phone 1-800-LIGHTBULB (1-800-544-4828)
www.sylvania.com

SYLVANIA and LEDVANCE are registered trademarks.
All other trademarks are those of their respective owners.
Licensee of product trademark SYLVANIA in general lighting.
Specifications subject to change without notice.

[/sylvania](https://twitter.com/sylvania) [/sylvania](https://facebook.com/sylvania)

