

SYLVANIA SMART⁺ Bluetooth[®] Clear G25

Soft White Lamp, Works with Apple[®] HomeKit[™]



Key Features & Benefits

- Compatible with Apple HomeKit
- Bluetooth protocol, no hub required, easy set-up
- Voice control using Siri
- Away-from-home control via AppleTV[®], Apple iPad[®], or Apple HomePod[®]
- On/Off/Dimming Functions
- Color Temperature: 2700K
- Life: 15,000 hours rated life*
- CRI: 80+

Experience intelligent, connected lighting solutions in your home with HomeKit-enabled SYLVANIA SMART⁺ connected lights and accessories. With Apple HomeKit, easily connect your accessories using your Apple device to begin creating schedules and automations to accommodate your daily lifestyle. Our HomeKit-compatible smart home lighting products can be combined with other HomeKit accessories to build the ultimate smart home automation system.

Product Offering

Ordering Description	Contains
SYLVANIA SMART ⁺ Bluetooth [®] Clear G25 Soft White Lamp	1 Clear G25 LED Lamp

Application Information

Applications

- Chandelier
- Downlights
- Pendant fixtures
- Table lamps
- Vanity fixtures
- Wall sconces

Market Segments

- Residential
- Small business
- Hospitality

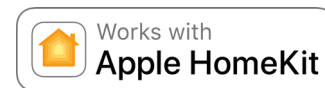
Application Notes

1. SMART⁺ Clear G25 requires an iOS 10.3, or later, Apple[®] device
2. Lamp turns on at 100% brightness, but can be customized via the Apple Home app
3. 2-year limited product warranty
4. For indoor use only

This device complies with part 15 of the FCC Rules. Operation is subject to the following two conditions: (1) This device may not cause harmful interference, and (2) this device must accept any interference received, including interference that may cause undesired operation. For FCC Part 15 user information, please see www.sylvania.com/fcc15b

*LED Lamp lifetime is defined as the number of hours when 50% of a large group of identical lamps reaches 70% of its initial lumens.

Specifications and Certifications



Specification Data

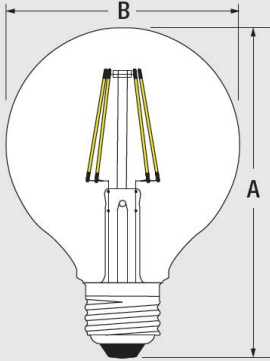
Catalog #	Type
Project	
Comments	
Prepared by	

Ordering Information

Item Number	Ordering Description	Wattage	Lumens	CCT	CRI	Life (hrs.)
XXXXX	LED6G25FWHOMKITBLES+	6	650	2700K	80+	15,000

Lamp Dimensions

	(A) MOL inches (mm)	(B) Diameter inches (mm)
HomeKit Clear G25	XXXXX	XXXXX



The diagram shows a G25 LED light bulb with two dimensions labeled: 'A' for the total height from the base to the top of the bulb, and 'B' for the diameter of the bulb's main body.

LEDVANCE LLC
200 Ballardvale Street
Wilmington, MA 01887 USA
Phone 1-800-LIGHTBULB (1-800-544-4828)
www.sylvania.com

SYLVANIA and LEDVANCE are registered trademarks.
All other trademarks are those of their respective owners.
Licensee of product trademark SYLVANIA in general lighting.
Specifications subject to change without notice.

 /sylvania  /sylvania

