

SYLVANIA SMART+ ZigBee® BR30

Adjustable White Lamp



Key Features & Benefits

- Smart lighting controlled by smart phone, tablet, as well as through voice integration
- Compatible with major smart home automation systems
- Create schedules and light scenes to enhance your experience. Group lights to control them all at once
- SMART+ System is controllable from inside the home or on the go
- On/Off/Dimming functions
- LED lamp adjustable between soft white, bright white, and daylight white
- Color temperature tunable between 2700-6500 Kelvin
- Life: 20,000 hours rated life
- CRI 80+
- Suitable for use in damp locations

Experience intelligent, connected lighting solutions in your home with SYLVANIA SMART+ connected lights and accessories. Using a ZigBee® compatible home automation hub, easily set up your devices to accommodate your daily routine by creating schedules and automations that fit your lifestyle. Our ZigBee smart home lighting products can be combined with many other ZigBee devices and platforms to build the ultimate smart home automation system.

Product Offering

Ordering Abbreviation	Wattage	CCT	Contains
SMART+ BR30 ADJW	9.5	2700-6500K	1 BR30 LED Lamp

Application Information

Applications

- General lighting
- Recessed downlights
- Track lighting
- Wall washer

Market Segments

- Residential
- Small business

Application Notes

1. SMART+ BR30 requires ZigBee compatible home automation hub (Sold separately)
2. Product activation requires active WiFi Network and ZigBee compatible home automation hub (must be placed in range of wireless router)
3. Lamp turns on at 2700K, but can be customized using the ZigBee compatible hub
4. 2-year limited product warranty
5. Operating temperature [-4°F to +104°F] or [-20°C to +40°C]
6. Suitable for use in damp locations
7. Not intended for use with dimmers, emergency light fixtures or exit lights
8. Do not install in totally enclosed fixtures
9. Lamps dims via wireless control and will not operate with a dimmer switch, remove all existing dimmers and replace with a regular switch, leave lamp in ON position

This device complies with part 15 of the FCC Rules. Operation is subject to the following two conditions: (1) This device may not cause harmful interference, and (2) this device must accept any interference received, including interference that may cause undesired operation. For FCC Part 15 user information, please see www.sylvania.com/fcc15b

Specifications and Certifications



ZigBee
Certified product

Contains:
FCC ID: DZO-LDV-AETHER
IC: 11099A-LDVAETHER



Specification Data

Catalog #	Type
Project	
Comments	
Prepared by	

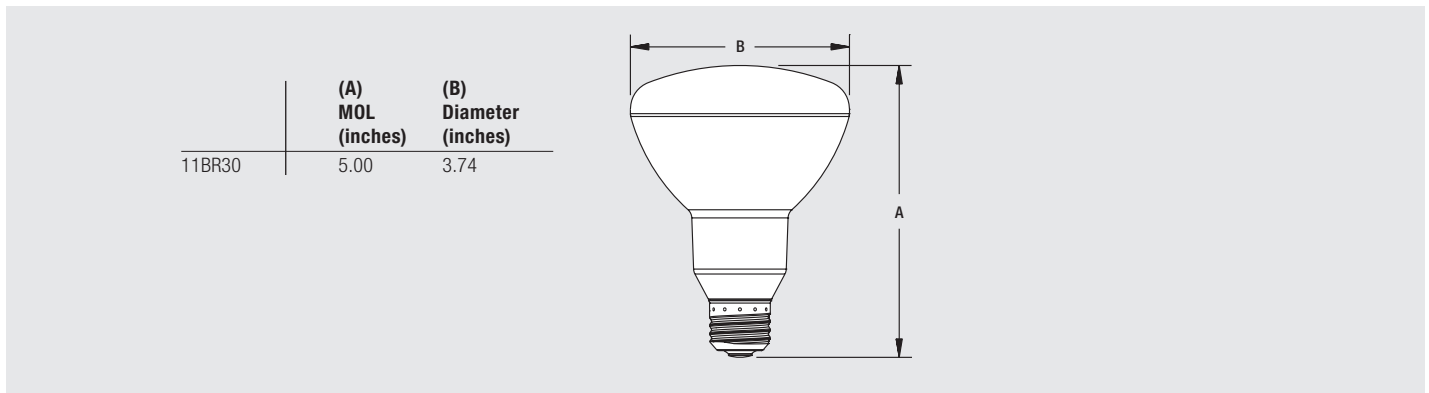
Ordering Information

Item Number	Ordering Description	Wattage	Voltage	Lumens	CCT	CRI	Life
73740	LED9.5BR30ADJWZBS+	9.5	120	810	2700-6500K	80+	20,000

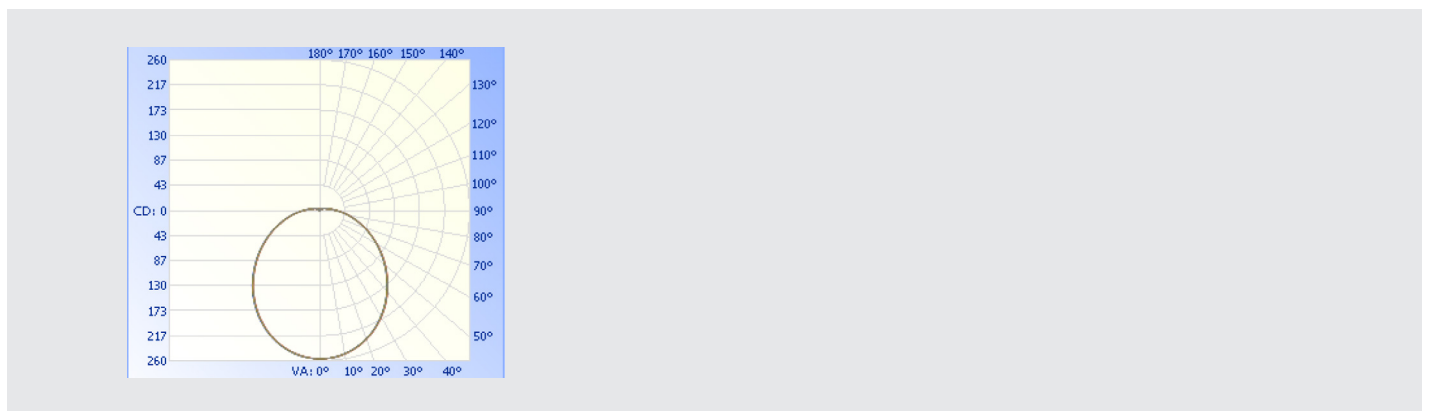
Ordering Guide

LED	9.5	BR30	ADJW	ZB	S+
LED	Wattage: 9.5	Lamp Type BR30	Adjustable White	ZigBee	SMART+

Lamp Dimensions



Photometric Distribution



LEDVANCE LLC
 200 Ballardvale Street
 Wilmington, MA 01887 USA
 Phone 1-800-LIGHTBULB (1-800-544-4828)
www.sylvania.com

SYLVANIA and LEDVANCE are registered trademarks.
 All other trademarks are those of their respective owners.
 Licensee of product trademark SYLVANIA in general lighting.
 Specifications subject to change without notice.

[/sylvania](https://twitter.com/sylvania) [/sylvania](https://facebook.com/sylvania)

