

ULTRA LED™ Integrated Bulb and Trim



SYLVANIA ULTRA Integrated Bulb and Trim is an energy-efficient LED replacement for incandescent reflector lamps with integrated trim that updates the look of recessed lighting in one single solution. This easily installed lamp delivers energy savings up to 77% and is available in a warm 2700K color temperature.

Application Information

Applications

- Recessed downlights

Market Segments

- Hospitality
- Offices
- Residential
- Restaurants
- Retail

Key Features & Benefits

- Integrated lamp and trim
- Dimmable down to 25%*
- Available in 2700K color temperature
- Long life up to 25,000 hours (L₇₀)
- UV and IR free
- Mercury and lead free
- RoHS compliant
- Energy savings up to 77%

* Performance may vary depending on dimmer used in application. Please refer to Dimmer Compatibility List (RETRO-DIM) for a list of compatible dimmers or visit www.SYLVANIA.com/LEDRetrofit



Product Offering

Ordering Abbreviation	Wattage	Color Temperature
6" LT	12	2700K
4" LT	8.5	2700K

Application Notes

1. Operating temperature -4°F to +104°F (-20°C to +40°C)
2. Use in fixtures that support a half pound lamp
3. Not for use with emergency light fixtures or exit lights
4. Suitable for use in damp locations

This device complies with part 15 of the FCC Rules. Operation is subject to the following two conditions: (1) This device may not cause harmful interference, and (2) this device must accept any interference received, including interference that may cause undesired operation. For FCC Part 15 user information, please see www.sylvania.com/fcc15b



Specification Data

Catalog #	Type
Project	
Comments	
Prepared by	

Ordering Information

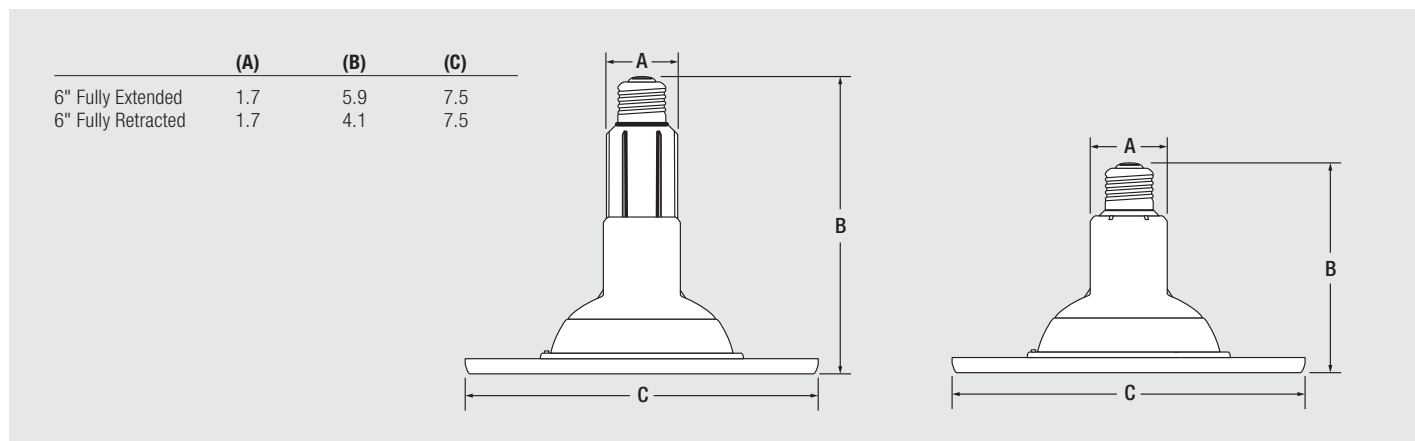
Item Number	Ordering Abbreviation	Wattage (W)	Base Type	Replaces	Input Voltage (V)	Average Rated Life (hrs.)	CCT	Typical Lumens (lm)	CRI	Power Factor	ENERGY STAR®
79621	LED8.5LT4/DIM/SKE/827/RP	8.5	Medium	50W BR30	120	25,000	2700K	500	80	0.5	Yes
79622	LED12LT6/DIM/SKE/827/RP	12	Medium	65W BR30	120	25,000	2700K	800	80	0.5	Yes

Energy Savings

Basic Product Description	LED Life (hrs.)	Similar Incandescent	Incandescent Life (hrs.)	Incandescent Lumens	Watts Saved	Energy Savings*	LED Life vs. Incandescent
LED12LT6	25,000	65W BR30	2,000	700	53	\$137.50	12.5x

*Energy savings over life of lamp calculated at \$0.11/kWh

Lamp Dimensions



LEDVANCE LLC
 200 Ballardvale Street
 Wilmington, MA 01887 USA
 Phone 1-800-LIGHTBULB (1-800-544-4828)
www.sylvania.com

SYLVANIA and LEDVANCE are registered trademarks.
 All other trademarks are those of their respective owners.
 Licensee of product trademark SYLVANIA in general lighting.
 Specifications subject to change without notice.

[/sylvania](https://twitter.com/sylvania) [/sylvania](https://facebook.com/sylvania)

