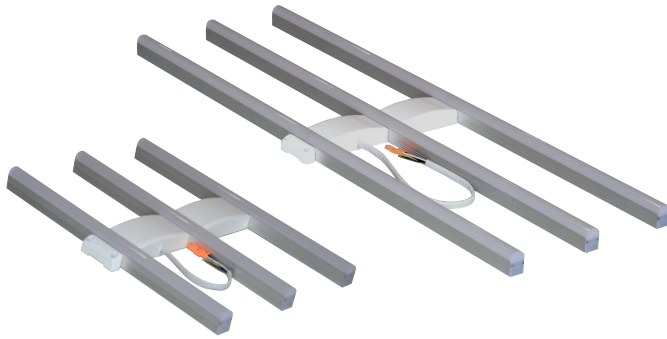


# SYLVANIA SMART+ ZigBee® Troffer

## Adjustable White Retrofit Kit



Experience intelligent, connected lighting solutions with SYLVANIA

SMART+ connected lights and accessories. Using a ZigBee compatible automation hub, easily set up your devices to accommodate your daily routine by creating schedules and automations that fit your project requirements. Our ZigBee smart lighting products can be combined with many other ZigBee devices and platforms to build the ultimate smart automation system.

The Troffer Retrofit Kit features a safe, easy and quick install in under four minutes, and they bypass the existing ballast to eliminate any ballast incompatibility issues.

### Application Information

#### Application Notes

- # SMART+ Troffer Kit requires ZigBee compatible automation hub (sold separately)
- \$ Product activation requires active ZigBee compatible automation hub
- % 2-year limited product warranty
- & Operating temperature range between -4°F and +122°F (-20°C and +50°C)
- ' The LED driver is a constant current device. Power factor is ≥90% and THD is ≤20%.
- ( Suitable for use in damp locations
- ) Not intended for use with dimmers, emergency light fixtures or exit lights
- \* Lamp dims via wireless control and will not operate with a dimmer switch; remove all existing dimmers and replace with a regular switch; leave lamp in ON position
- + To prevent product malfunction and/or electrical shock this product must be properly grounded

\*Above features are currently exclusive to Amazon Echo Plus

This device complies with part 15 of the FCC Rules. Operation is subject to the following two conditions: (1) This device may not cause harmful interference, and (2) this device must accept any interference received, including interference that may cause undesired operation. For FCC Part 15 user information, please see [www.sylvania.com/fcc15b](http://www.sylvania.com/fcc15b).

\*\*LED Lamp lifetime is defined as the number of hours when 50% of a large group of identical lamps reaches 70% of its initial lumens.

### Key Features & Benefits

- SMART+ commercial lighting is controlled by smartphone or tablet, as well as through voice integration\* and select Leviton® products
- Create schedules and light scenes to enhance your experience. Group lights to control them all at once
- SMART+ System is controllable locally or on the go\*
- Available in 2x2ft and 2x4ft sizes
- Retrofit kit can be easily installed inside existing troffer
- On/Off/Dimming functions
- LED lamp adjustable between soft white, bright white, and daylight white
- Color temperature tunable between 2700-6500 Kelvin
- Life: 35,000 hours rated life\*\*
- CRI 80+

### Product Offering

Ordering Abbreviation	Wattage	CCT	Contains
SMART+ Troffer Retrofit 2x2 ADJW	34	2700-6500K	1 LED Troffer Kit
SMART+ Troffer Retrofit 2x4 ADJW	48	2700-6500K	1 LED Troffer Kit

### Specifications and Certifications



Contains:  
 FCC ID: DZO-LDV-AETHER  
 IC: 11099A-LDVAETHER



**LEVITON®** Works with Echo Plus



Catalog #	Type
Project	
Notes	
Date	
Prepared by	

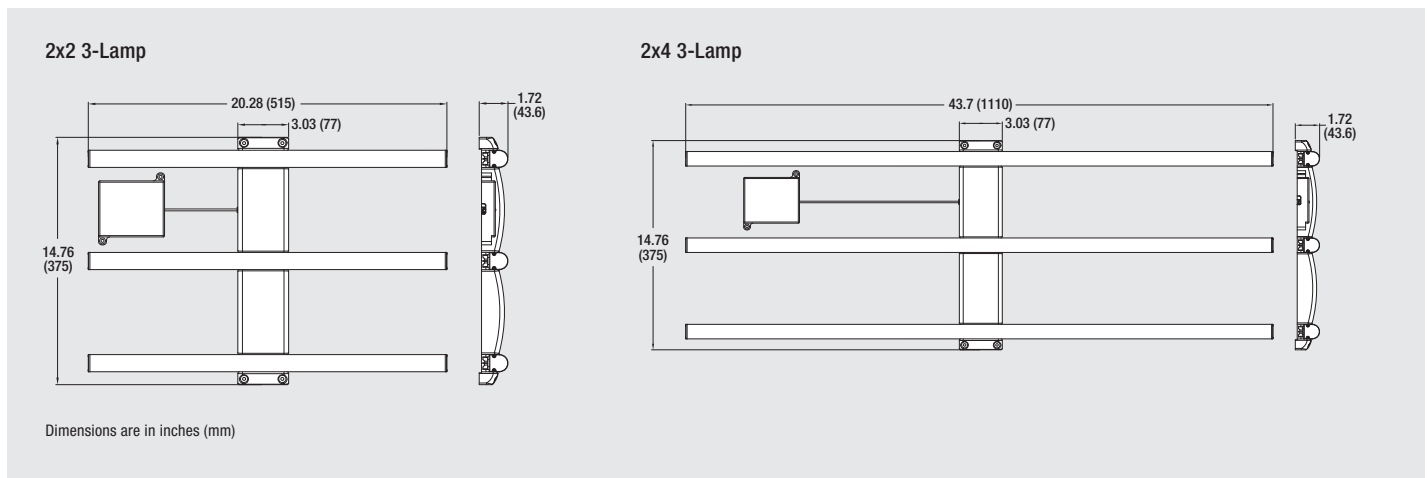
Ordering Information

Item Number	Ordering Description	Wattage	Lumens	LPW	Beam Angle	Input Voltage	CCT	CRI	Life (hrs)
71507	LEDTROFF34WADJW22ZBS+	34W	3200	110	120°	120-277V	2700K-6500K	80	35,000
71506	LEDTROFF48WADJW24ZBS+	48W	4800	110	120°	120-277V	2700K-6500K	80	35,000

Ordering Guide

LED	TROFF	XX	ADJW	XX	ZB	S+
LED	Lamp Type Troffer Kit	Wattage 34W, 48W	Adjustable White	Dimensions 2x2ft, 2x4ft	ZigBee	SMART+

Lamp Dimensions



LEDVANCE LLC  
 200 Ballardvale Street  
 Wilmington, MA 01887 USA  
 Phone 1-800-LIGHTBULB (1-800-544-4828)  
 www.sylvania.com

SYLVANIA and LEDVANCE are registered trademarks.  
 All other trademarks are those of their respective owners.  
 Licensee of product trademark SYLVANIA in general lighting.  
 Specifications subject to change without notice.

/sylvania /sylvania

