

RENAISSANCE™ LED PAR Family



Key Features & Benefits

- High lumen packages and center beam candle power (CBCP) for color critical applications
- Lens facing contains full optics
- Full family – 91 CRI
- Design life: 40,000 hours (L₇₀)*
- Dimmable**
- CCT: 2700K, 3000K and 3500K
- Beam angles: 15°, 25°, 40°
- No warm up time, instant on with full light output and stable color
- Indoor/outdoor – damp rated
- 5 Year Warranty

*ENERGY STAR® Rated life: 25,000 hours (L₇₀)
 **Performance may vary depending on dimmer used in application.

The RENAISSANCE line offers a full family of high CBCP PAR lamps with superior beam quality, ideal for color critical applications. The high R9 (R9 up to 74) feature enhances warm color palettes and makes whites more crisp, making them ideal for hospitality, healthcare and retail applications. With multiple beam angles (15°, 25° and 40°) available light is placed exactly where it's needed, with spill light surrounding for general illumination.

Product Offering

| Ordering Abbreviation | Wattage | Beam Angle | Color Temperature |
|-----------------------|----------|------------|---------------------|
| PAR20 | 8 | 25, 40 | 2700K, 3000K, 3500K |
| PAR30 | 12.5 | 15, 25, 40 | 2700K, 3000K, 3500K |
| PAR30LN | 12.5 | 25, 40 | 2700K, 3000K, 3500K |
| PAR38 | 13, 16.5 | 15, 25, 40 | 2700K, 3000K, 3500K |

Application Information

Applications

- General lighting
- Recessed downlights
- Track lighting
- Wall washer

Market Segments

- Art galleries
- Hospitality
- Museums
- Offices
- Residential
- Restaurants
- Retail

Application Notes

1. Operating temperature -4°F to 104°F (-20°C to 40°C)
2. Not for use with emergency light fixtures or exit lights
3. Suitable for use in UL rated fixture where protected from the weather
4. For lamp warranty information please visit: www.sylvania.com/warranty

This device complies with part 15 of the FCC Rules. Operation is subject to the following two conditions: (1) This device may not cause harmful interference, and (2) this device must accept any interference received, including interference that may cause undesired operation. For FCC Part 15 user information, please see www.sylvania.com/fcc15b

Specifications and Certifications



Specification Data

| | |
|-------------|------|
| Catalog # | Type |
| Project | |
| Comments | |
| Prepared by | |

Ordering Information

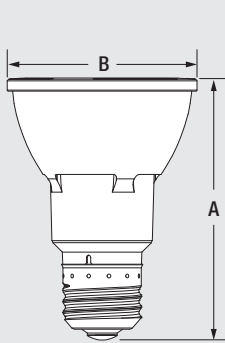
| Item Number | Ordering Abbreviation | Wattage (W) | Lumens (lm) | Beam | CBCP | LPW | CCT | Input Voltage | Dimmable | CRI | R9 | Power Factor | Replaces | ENERGY STAR® |
|----------------|---------------------------------|-------------|-------------|------|--------|-----|-------|---------------|----------|-----|----|--------------|--------------|--------------|
| PAR20 | | | | | | | | | | | | | | |
| 78363 | LED8PAR20/HD/DIM/927/NFL25 | 8 | 500 | 25° | 1300 | 63 | 2700K | 120V | Yes | 91 | 72 | 0.99 | 50W Halogen | Yes |
| 78366 | LED8PAR20/HD/DIM/927/FL40 | 8 | 500 | 40° | 1100 | 63 | 2700K | 120V | Yes | 91 | 72 | 0.99 | 50W Halogen | Yes |
| 78364 | LED8PAR20/HD/DIM/930/NFL25 | 8 | 550 | 25° | 1400 | 69 | 3000K | 120V | Yes | 91 | 55 | 0.99 | 50W Halogen | Yes |
| 78367 | LED8PAR20/HD/DIM/930/FL40 | 8 | 550 | 40° | 1200 | 69 | 3000K | 120V | Yes | 91 | 59 | 0.99 | 50W Halogen | Yes |
| 78365 | LED8PAR20/HD/DIM/935/NFL25 | 8 | 600 | 25° | 1400 | 75 | 3500K | 120V | Yes | 91 | 74 | 0.99 | 50W Halogen | Yes |
| 78368 | LED8PAR20/HD/DIM/935/FL40 | 8 | 600 | 40° | 1200 | 75 | 3500K | 120V | Yes | 91 | 60 | 0.99 | 50W Halogen | Yes |
| PAR30 | | | | | | | | | | | | | | |
| 40037 | LED12.5PAR30/HD/DIM/927/WSP15 | 12.5 | 900 | 15° | 7500 | 72 | 2700K | 120V | Yes | 91 | 57 | 0.99 | 75W Halogen | Yes |
| 79570 | LED12.5PAR30/HD/DIM/927/NFL25 | 12.5 | 900 | 25° | 4500 | 72 | 2700K | 120V | Yes | 91 | 54 | 0.99 | 75W Halogen | Yes |
| 79573 | LED12.5PAR30/HD/DIM/927/FL40 | 12.5 | 900 | 40° | 1800 | 72 | 2700K | 120V | Yes | 91 | 53 | 0.99 | 75W Halogen | Yes |
| 40038 | LED12.5PAR30/HD/DIM/930/WSP15 | 12.5 | 1000 | 15° | 7500 | 80 | 3000K | 120V | Yes | 91 | 59 | 0.99 | 75W Halogen | Yes |
| 79571 | LED12.5PAR30/HD/DIM/930/NFL25 | 12.5 | 1000 | 25° | 4650 | 80 | 3000K | 120V | Yes | 91 | 56 | 0.99 | 75W Halogen | Yes |
| 79574 | LED12.5PAR30/HD/DIM/930/FL40 | 12.5 | 1000 | 40° | 1900 | 80 | 3000K | 120V | Yes | 91 | 57 | 0.99 | 75W Halogen | Yes |
| 40039 | LED12.5PAR30/HD/DIM/935/WSP15 | 12.5 | 1050 | 15° | 7500 | 84 | 3500K | 120V | Yes | 91 | 59 | 0.99 | 75W Halogen | Yes |
| 79572 | LED12.5PAR30/HD/DIM/935/NFL25 | 12.5 | 1050 | 25° | 4650 | 84 | 3500K | 120V | Yes | 91 | 73 | 0.99 | 75W Halogen | Yes |
| 79575 | LED12.5PAR30/HD/DIM/935/FL40 | 12.5 | 1050 | 40° | 1900 | 84 | 3500K | 120V | Yes | 91 | 72 | 0.99 | 75W Halogen | Yes |
| PAR30LN | | | | | | | | | | | | | | |
| 79564 | LED12.5PAR30LN/HD/DIM/927/NFL25 | 12.5 | 900 | 25° | 4500 | 72 | 2700K | 120V | Yes | 91 | 56 | 0.99 | 75W Halogen | Yes |
| 79567 | LED12.5PAR30LN/HD/DIM/927/FL40 | 12.5 | 900 | 40° | 1800 | 72 | 2700K | 120V | Yes | 91 | 53 | 0.99 | 75W Halogen | Yes |
| 79565 | LED12.5PAR30LN/HD/DIM/930/NFL25 | 12.5 | 1000 | 25° | 4650 | 80 | 3000K | 120V | Yes | 91 | 57 | 0.99 | 75W Halogen | Yes |
| 79568 | LED12.5PAR30LN/HD/DIM/930/FL40 | 12.5 | 1000 | 40° | 1900 | 80 | 3000K | 120V | Yes | 91 | 57 | 0.99 | 75W Halogen | Yes |
| 79566 | LED12.5PAR30LN/HD/DIM/935/NFL25 | 12.5 | 1050 | 25° | 4650 | 84 | 3500K | 120V | Yes | 91 | 71 | 0.99 | 75W Halogen | Yes |
| 79569 | LED12.5PAR30LN/HD/DIM/935/FL40 | 12.5 | 1050 | 40° | 1900 | 84 | 3500K | 120V | Yes | 91 | 73 | 0.99 | 75W Halogen | Yes |
| PAR38 | | | | | | | | | | | | | | |
| 78351 | LED13PAR38/HD/DIM/930/WSP15 | 13 | 1000 | 15° | 13,500 | 77 | 3000K | 120V | Yes | 91 | 57 | 0.99 | 90W Halogen | Yes |
| 78362 | LED13PAR38/HD/DIM/930/NFL25 | 13 | 1000 | 25° | 4000 | 77 | 3000K | 120V | Yes | 91 | 57 | 0.99 | 90W Halogen | Yes |
| 78361 | LED13PAR38/HD/DIM/930/FL40 | 13 | 1000 | 40° | 1800 | 77 | 3000K | 120V | Yes | 91 | 57 | 0.99 | 90W Halogen | Yes |
| 78352 | LED16.5PAR38/HD/DIM/927/WSP15 | 16.5 | 1250 | 15° | 12,500 | 76 | 2700K | 120V | Yes | 91 | 55 | 0.99 | 120W Halogen | Yes |
| 78355 | LED16.5PAR38/HD/DIM/930/WSP15 | 16.5 | 1350 | 15° | 13,000 | 82 | 3000K | 120V | Yes | 91 | 60 | 0.99 | 120W Halogen | Yes |
| 78358 | LED16.5PAR38/HD/DIM/935/WSP15 | 16.5 | 1350 | 15° | 13,000 | 82 | 3500K | 120V | Yes | 91 | 56 | 0.99 | 120W Halogen | Yes |
| 78353 | LED16.5PAR38/HD/DIM/927/NFL25 | 16.5 | 1250 | 25° | 5600 | 76 | 2700K | 120V | Yes | 91 | 56 | 0.99 | 120W Halogen | Yes |
| 78356 | LED16.5PAR38/HD/DIM/930/NFL25 | 16.5 | 1350 | 25° | 5800 | 82 | 3000K | 120V | Yes | 91 | 58 | 0.99 | 120W Halogen | Yes |
| 78359 | LED16.5PAR38/HD/DIM/935/NFL25 | 16.5 | 1350 | 25° | 5800 | 82 | 3500K | 120V | Yes | 91 | 60 | 0.99 | 120W Halogen | Yes |
| 78354 | LED16.5PAR38/HD/DIM/927/FL40 | 16.5 | 1250 | 40° | 2300 | 76 | 2700K | 120V | Yes | 91 | 56 | 0.99 | 120W Halogen | Yes |
| 78357 | LED16.5PAR38/HD/DIM/930/FL40 | 16.5 | 1350 | 40° | 2350 | 82 | 3000K | 120V | Yes | 91 | 58 | 0.99 | 120W Halogen | Yes |
| 78360 | LED16.5PAR38/HD/DIM/935/FL40 | 16.5 | 1350 | 40° | 2350 | 82 | 3500K | 120V | Yes | 91 | 60 | 0.99 | 120W Halogen | Yes |

Ordering Guide

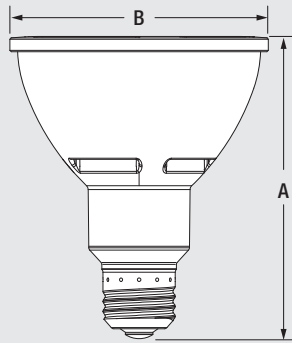
| | | | | | | | | | | | |
|-------------------------|-------------|--------------|---|-----------------|---|------------|---|----------|-------------------|---|--------------|
| LED | 16.5 | PAR38 | / | HD | / | DIM | / | 9 | 27 | / | NFL25 |
| LED Lamps and Retrofits | Wattage | Shape | | High Definition | | Dimmable | | CRI = 91 | Color Temperature | | Beam Angle |

Lamp Dimensions

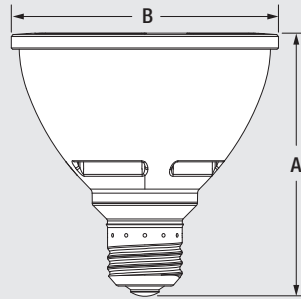
| | (A) MOL inches (mm) | (B) Diameter inches (mm) |
|---------|---------------------------|--------------------------------|
| PAR20 | 3.5 (88) | 2.5 (64) |
| PAR30LN | 4.5 (114) | 3.7 (95) |
| PAR30SN | 3.6 (92) | 3.7 (95) |
| PAR38 | 5.1 (132) | 4.7 (120.5) |



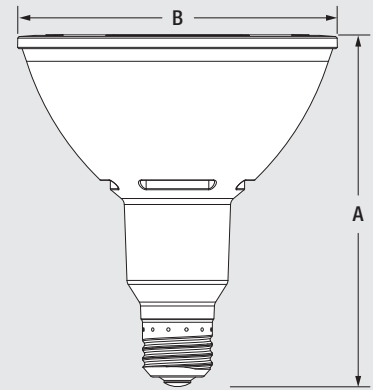
PAR20



PAR30LN



PAR30SN



PAR38

LEDVANCE LLC
 200 Ballardvale Street
 Wilmington, MA 01887 USA
 Phone 1-800-LIGHTBULB (1-800-544-4828)
www.sylvania.com

SYLVANIA and LEDVANCE are registered trademarks.
 All other trademarks are those of their respective owners.
 Licensee of product trademark SYLVANIA in general lighting.
 Specifications subject to change without notice.

 /sylvania  /sylvania

