

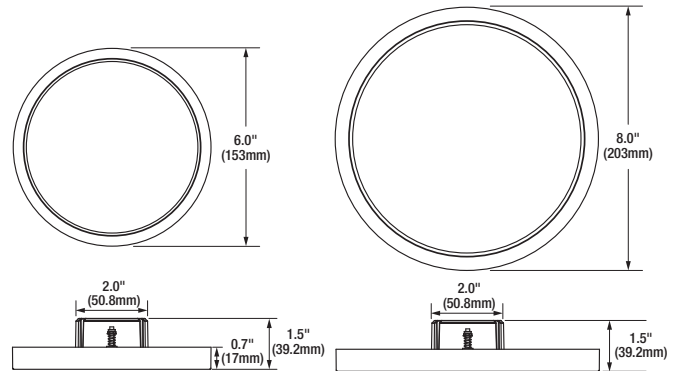
SYLVANIA Luminaires

Slim Downlight



Catalog #	Type
Project	
Notes	
Date	
Prepared by	

Dimensions



Product Features

- Edge-lit LED technology for even, low glare illumination
- Self-adjusting springs for flush installation
- Low profile, seamless design to upgrade the space
- Directly mounts to j-box for low plenum applications

Wattage Comparison Chart

Slim Downlight Traditional Source	Traditional System Wattage	LED System Wattage	Energy Savings
2 x 13 W CFL	26	10	61%
1 x 32 W CFL	32	14	56%

Specifications

Weight: 6": 1.5lbs (0.6kg) 8": 2.0lbs (0.9kg)

Construction: Aluminum back plate with polycarbonate trim and lens. The standard finish is white.

LED System: LED system with a life rating of $\geq 50,000$ hours at L_{70} @25°C. Luminaire efficacy up to 71 LPW.

Electrical: Offered in 10 and 14 Watts, the luminaire is designed to operate at 120-277V with driver on board. The power factor is $\geq 90\%$ and THD is $\leq 20\%$.

Dimming: The driver is phase-cut dimmable at 120V (down to 10%).

Color Characteristics: CRI >80 ; CCT of 2700K, 3000K or 4000K.

Optics: White polycarbonate lens with edge-lit LED technology.

Installation: Luminaire mounts to recessed outlet box.

Operating Temperature: +14°F to +104°F (-10°C to +40°C).

Listings: cULus listed to UL1598 standards for damp locations.

Note: Suitable for use in closets, compliant with NFPA 70, NEC section 410.16 (A)(3) and 410.16 (C)(5).

Warranty: Standard 5-year luminaire warranty (LEDLUM001).

Note: Specifications subject to change without notice. IES files available online.



Ordering Guide

Item Number:

SLMDNLR	1A	/	XXX	UNV	T	8	XX	/	XX	J	/	WH
Product Name	Generation		Wattage*	Voltage	Dimming	CRI	Color Temp (CCT)		Diameter	Mounting		Color/Finish
SLMDNLR	1A		010 = 10W 014 = 14W	UNV = 120-277V	T = Phase-cut (120V ONLY)	8 \geq 80	27 = 2700K 30 = 3000K 40 = 4000K		06 = 6 in 08 = 8 in	J = J-Box		WH = White

*10W only available in 6in, 14W only available in 8in.

Photometric Data

Average Illuminance (FC) at 30" AFF and avg/min uniformity
80/50/20 Reflectances

		6' Wide Corridor 8.0-8.5 ft Mounting Height	6' Wide Corridor 9.0-9.5 ft Mounting Height	6' Wide Corridor 10.0-10.5 ft Mounting Height
NAEDs		10' Fixture Spacing		
10W	60003	7.1fc/1.15 (Avg/Min)	6.4fc/1.11 (Avg/Min)	5.8fc/1.11 (Avg/Min)
	60004			
	60005			
14W	60058	10.5fc/1.14 (Avg/Min)	9.5fc/1.12 (Avg/Min)	8.6fc/1.09 (Avg/Min)
	60057			
	60056			


Ordering Information

Item Number	Ordering Abbreviation	Power (W)	Input Voltage	Dimming**	CRI	Color Temp (CCT)	Size	Total Fixture Lumens	LPW*
60003	SLMDNLR1A/010UNVT827/06J/WH	10	120-277V	Phase-cut	>80	2700K	6"	700	70
60004	SLMDNLR1A/010UNVT830/06J/WH	10	120-277V	Phase-cut	>80	3000K	6"	750	75
60005	SLMDNLR1A/010UNVT840/06J/WH	10	120-277V	Phase-cut	>80	4000K	6"	800	80
60058	SLMDNLR1A/014UNVT827/08J/WH	14	120-277V	Phase-cut	>80	2700K	8"	980	70
60057	SLMDNLR1A/014UNVT830/08J/WH	14	120-277V	Phase-cut	>80	3000K	8"	1050	75
60056	SLMDNLR1A/014UNVT840/08J/WH	14	120-277V	Phase-cut	>80	4000K	8"	1120	80

*LPW per LM79 report
**Only dimmable at 120V

LEDVANCE LLC
200 Ballardvale Street
Wilmington, MA 01887 USA
Phone 1-800-LIGHTBULB (1-800-544-4828)
www.sylvania.com

SYLVANIA and LEDVANCE are registered trademarks.
All other trademarks are those of their respective owners.
Licensee of product trademark SYLVANIA in general lighting.
Specifications subject to change without notice.

 /sylvania  /sylvania

