

# SYLVANIA Luminaires

## Slim Floodlight



### Product Features

- Lightweight, compact design
- IP66 Rated with wide flood distribution
- High Efficacy meeting DLC Premium requirements\*
- Applications: landscape, flood and signage applications

### Wattage Comparison Chart

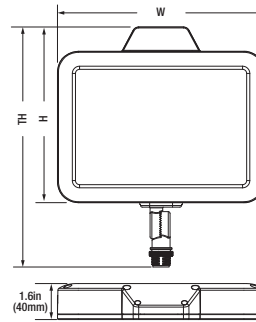
#### Slim Floodlight

Traditional Source	Traditional System Wattage	LED System Wattage	Energy Savings
35 W HPS	42	20	52%
50 W HPS	62	20	68%
70 W MH	91	20	78%
150 Q Halogen	150	20	87%
50 W HPS	62	30	52%
70 W HPS	91	30	67%
100 W HPS	120	30	67%
100 W MH	130	30	69%
200 W Q Hal	200	30	85%
150 W HPS	170	50	71%
150 W MH	188	50	73%
175 W MH	210	50	76%
175 W MH	210	100	52%
250 W MH	290	100	66%
250 W HPS	295	100	66%

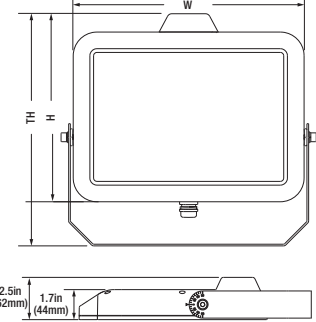
Catalog #	Type
Project	
Notes	
Date	
Prepared by	

### Dimensions

#### 20-50W



#### 100W



	20-30W	50W	100W
Width (W)	9.1in (230mm)	10.6in (270mm)	10.6in (270mm)
Height (H)	7.7in (195mm)	8.5in (217mm)	8.5in (217mm)
Total Height (TH)	10.5in (266mm)	11.3in (286mm)	11.3in (286mm)

### Specifications

**Weight:** 20W/30W: 3.5lbs (1.6kg) 50W: 5lbs (2.3kg) 100W: 8lbs (3.6kg)

**Construction:** Two-piece cast aluminum with powder coat paint finish and glass lens. The standard color is bronze.

**LED System:** LED system with a life rating of  $\geq 150,000$  hours at  $L_{70}$  @25°C. Luminaire efficacy up to 123 LPW.

**Electrical:** Offered in 20, 30, 50 and 100 Watts, the luminaire is designed to operate through the 120-277 VAC voltage. The LED driver has a 4kV surge suppression and is a constant current device, meeting UL1310 and UL48 Class 1 with built-in over temperature protection. The power factor is  $\geq 90\%$  and THD is  $\leq 20\%$ .

**Color Characteristics:** CRI > 80; CCT of 3000K, 4000K or 5000K

**Optics:** Wide distribution with clear glass lens.

**Installation:** 20-50W luminaires can be knuckle mounted with included 1/2" NPS for mounting to junction box. 20-100W models can also be trunion mounted (please see ordering information).

**Operating Temperature:** -40°F to +104°F (-40°C to +40°C).

**Listings:** cULus listed to UL1598 standards for wet locations and IP66 rated.

**Warranty:** Standard 5-year luminaire warranty (LEDLUM001).

**Note:** Specifications subject to change without notice. IES files available online.



\*See page 2 for DLC listings.

### Ordering Guide

Item Number:

<input type="text"/>	<input type="text"/>	<input type="text"/>	<input type="text"/>	<input type="text"/>	<input type="text"/>	<input type="text"/>	<input type="text"/>	<input type="text"/>	<input type="text"/>					
<b>SLMFLD</b>	<b>1A</b>	<b>/</b>	<b>XXX</b>	<b>UNV</b>	<b>8</b>	<b>XX</b>	<b>/</b>	<b>WF</b>	<b>/</b>	<b>XX</b>	<b>/</b>	<b>BZ</b>	<b>/</b>	<b>X</b>
Product	Generation		Wattage	Voltage	CRI	Color Temp (CCT)		Optics		Mounting		Color/Finish		Options
Name	1A		020 = 20W	UNV = 120-277V	8 = >80	30 = 3000K*		WF = Wide Flood		TR = Trunion		BZ = Bronze		Blank = No Option
SLMFLD			030 = 30W			40 = 4000K				(20, 30, and 50W)				D = Motion/Daylight Sensor
			050 = 50W			50 = 5000K				Blank = Knuckle				(20, 30 and 50W)
			100 = 100W											

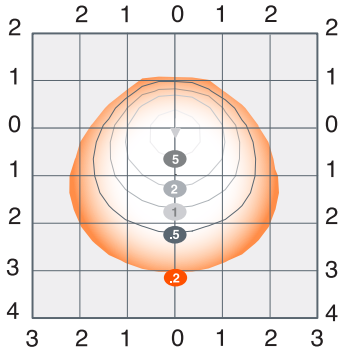
\*3000K only available in 20W version.

## Photometric Data

20/30W\*

SLMFLD1A/0X0UNV8X0/WF/BX

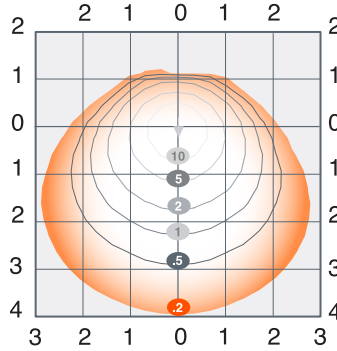
Isofootcandle Lines at 10' Mounting Height



50W

SLMFLD1A/050UNV840/WF/BZ

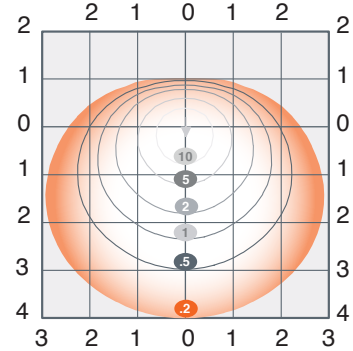
Isofootcandle Lines at 10' Mounting Height



100W

SLMFLD1A/100UNV8X0/WF/BZ

Isofootcandle Lines at 10' Mounting Height



For other mounting heights apply the following multipliers:

Mounting Height	6'	8'	10'	12'	15'
Multiplier	2.8	1.6	1.00	0.69	0.44

\*For 30W please use 1.5 multiplier+

## Ordering Information

Item Number	Ordering Abbreviation	Power (W)	Input Voltage	CRI	Color Temp (CCT)	Distribution	Total Fixture Lumens	LPW*	Mounting	DLC**	Options
74906	SLMFLD1A/020UNV830/WF/BZ	20	120-277V	>80	3000K	Wide Flood	2000	103	Knuckle	Std	-
74907	SLMFLD1A/020UNV840/WF/BZ	20	120-277V	>80	4000K	Wide Flood	2200	111	Knuckle	Prm	-
60200	SLMFLD1A/020UNV830/WF/TR/BZ	20	120-277V	>80	3000K	Wide Flood	2000	103	Trunnion	Std	-
60201	SLMFLD1A/020UNV840/WF/TR/BZ	20	120-277V	>80	4000K	Wide Flood	2200	111	Trunnion	Prm	-
60191	SLMFLD1A/020UNVD830/WF/BZ/D	20	120-277V	>80	3000K	Wide Flood	2000	103	Knuckle	Std	Sensor
60192	SLMFLD1A/020UNVD840/WF/BZ/D	20	120-277V	>80	4000K	Wide Flood	2200	111	Knuckle	Prm	Sensor
74908	SLMFLD1A/030UNV840/WF/BZ	30	120-277V	>80	4000K	Wide Flood	3400	110	Knuckle	Prm	-
74909	SLMFLD1A/030UNV850/WF/BZ	30	120-277V	>80	5000K	Wide Flood	3500	114	Knuckle	Prm	-
60202	SLMFLD1A/030UNV840/WF/TR/BZ	30	120-277V	>80	4000K	Wide Flood	3400	110	Trunnion	Prm	-
60203	SLMFLD1A/030UNV850/WF/TR/BZ	30	120-277V	>80	5000K	Wide Flood	3500	114	Trunnion	Prm	-
60193	SLMFLD1A/030UNVD840/WF/BZ/D	30	120-277V	>80	4000K	Wide Flood	3400	110	Knuckle	Prm	Sensor
60194	SLMFLD1A/030UNVD850/WF/BZ/D	30	120-277V	>80	5000K	Wide Flood	3500	114	Knuckle	Prm	Sensor
74910	SLMFLD1A/050UNV840/WF/BZ	50	120-277V	>80	4000K	Wide Flood	6100	119	Knuckle	Prm	-
74911	SLMFLD1A/050UNV850/WF/BZ	50	120-277V	>80	5000K	Wide Flood	6300	121	Knuckle	Prm	-
60204	SLMFLD1A/050UNV840/WF/TR/BZ	50	120-277V	>80	4000K	Wide Flood	6100	119	Trunnion	Prm	-
60205	SLMFLD1A/050UNV850/WF/TR/BZ	50	120-277V	>80	5000K	Wide Flood	6300	121	Trunnion	Prm	-
60195	SLMFLD1A/050UNVD840/WF/BZ/D	50	120-277V	>80	4000K	Wide Flood	6100	119	Knuckle	Prm	Sensor
60196	SLMFLD1A/050UNVD850/WF/BZ/D	50	120-277V	>80	5000K	Wide Flood	6300	121	Knuckle	Prm	Sensor
60108	SLMFLD1A/100UNV840/WF/BZ	100	120-277V	>80	4000K	Wide Flood	12,300	123	Trunnion	Prm	-
60109	SLMFLD1A/100UNV850/WF/BZ	100	120-277V	>80	5000K	Wide Flood	12,300	123	Trunnion	Prm	-
60197	SLMFLD1A/100UNVD840/WF/BZ/D	100	120-277V	>80	4000K	Wide Flood	12,300	123	Trunnion	Prm	Sensor
60199	SLMFLD1A/100UNVD850/WF/BZ/D	100	120-277V	>80	5000K	Wide Flood	12,300	123	Trunnion	Prm	Sensor

\*LPW per LM79 report

\*\*Prm is for DLC Premium, Std is for DLC Standard

For further information and to learn more about utility rebates, contact your local SYLVANIA sales representative.

## Options Information

**Sensor:** Motion/Daylight sensor

**Sensor Default Settings\***

**Sensitivity:** 100%

**Hold Time:** 5 mins

**Dim Level:** 30%

**Standby Time:** 60 minutes

**Photosensor Level:** 2.8fc

**Detection Range:** 10m diameter at 12m distance from luminaire

**Note:** Sensor settings are not field adjustable.

\*Applies only to models ending in /D.

LEDVANCE LLC  
200 Ballardvale Street  
Wilmington, MA 01887 USA  
Phone 1-800-LIGHTBULB (1-800-544-4828)  
[www.sylvania.com](http://www.sylvania.com)

SYLVANIA and LEDVANCE are registered trademarks.  
All other trademarks are those of their respective owners.  
Licensee of product trademark SYLVANIA in general lighting.  
Specifications subject to change without notice.

 /sylvania  /sylvania

