

SYLVANIA SMART+ ZigBee® RT5/6 HO

Full Color LED Recessed Lighting Kit



Experience intelligent, connected lighting solutions with SYLVANIA SMART+ connected lights and accessories. Using a ZigBee® compatible automation hub, easily set up your devices to accommodate your daily routine by creating schedules and automations that fit your project requirements. Our ZigBee smart lighting products can be combined with many other ZigBee devices and platforms to build the ultimate smart automation system.

Key Features & Benefits

- SMART+ commercial lighting is controlled by smartphone or tablet, as well as through voice integration* and select Leviton® products
- Create schedules and light scenes to enhance your experience. Group lights to control them all at once
- SMART+ System is controllable locally or on the go*
- Integrated white trim and metal conduit adapter for direct replacement
- Fits standard 5 or 6 inch recessed downlight fixtures
- Millions of color options
- LED lamp adjustable between soft white, bright white, and daylight white
- On/Off/Dimming functions
- Color temperature tunable between 2700-6500 Kelvin
- Life: 50,000 hours rated life**
- CRI: 90+; R9>50 @2700K
- Suitable for dry, damp and wet indoor and outdoor locations

Product Offering

Ordering Abbreviation	Wattage	CCT	Contains
SMART+ RT5/6 HO Full Color	21	2700K-6500K	1 LED RT5/6

Application Information

Application Notes

1. SMART+ RT5/6 requires ZigBee compatible automation hub (sold separately)
2. Product activation requires active ZigBee compatible automation hub
3. 5 year limited product warranty
4. Operating temperature range between -4°F and +104°F (-20°C and +40°C)
5. Suitable for use in dry, damp and wet indoor and outdoor locations
6. Not intended for use with dimmers, emergency light fixtures or exit lights
7. Lamp dims via wireless control and will not operate with a dimmer switch; remove all existing dimmers and replace with a regular switch; leave lamp in ON position
8. To prevent wiring damage or abrasion, do not expose wiring to edges of sheet metal or other sharp objects

*Above features are currently exclusive to Amazon Echo Plus

This device complies with part 15 of the FCC Rules. Operation is subject to the following two conditions: (1) This device may not cause harmful interference, and (2) this device must accept any interference received, including interference that may cause undesired operation. For FCC Part 15 user information, please see www.sylvania.com/fcc15b.

**LED Lamp lifetime is defined as the number of hours when 50% of a large group of identical lamps reaches 70% of its initial lumens.

Specifications and Certifications



Contains:
FCC ID: DZO-LDV-AETHER
IC: 11099A-LDVAETHER



Works with Echo Plus



Specification Data

Catalog #	Type
Project	
Comments	
Prepared by	

Ordering Information

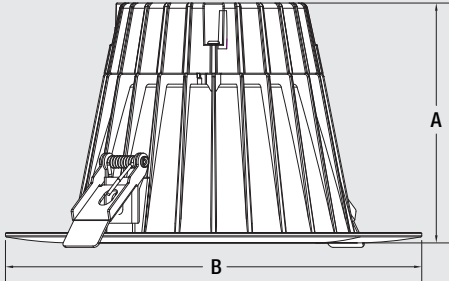
Item Number	Ordering Description	Wattage	Voltage	Lumens	CCT	CRI	Lifetime
74281	LED21RTHODIM56RGBWS+	21	120-277V	1400	2700-6500K	90+ @2700K CCT	50,000 hrs.

Ordering Guide

LED	21	RTHO	DIM	56	RGBW	S+
LED	Wattage 21	Lamp Type High Output	Dimming	Fits 5" & 6" Frames	Red, Green, Blue and Adjustable White	SMART+

Lamp Dimensions

	(A) MOL in (mm)	(B) Diameter in (mm)
RT6 HO RGBW	4.29 (109)	7.34 (186.5)



LEDVANCE LLC
 200 Ballardvale Street
 Wilmington, MA 01887 USA
 Phone 1-800-LIGHTBULB (1-800-544-4828)
www.sylvania.com

SYLVANIA and LEDVANCE are registered trademarks.
 All other trademarks are those of their respective owners.
 Licensee of product trademark SYLVANIA in general lighting.
 Specifications subject to change without notice.

[/sylvania](https://twitter.com/sylvania) [/sylvania](https://facebook.com/sylvania)

