

SYLVANIA SMART+ ZigBee® Surface Light

Adjustable White Fixture



Experience intelligent, connected lighting solutions in your home with SYLVANIA SMART+ connected lights and accessories. Using a ZigBee® compatible home automation hub, easily set up your devices to accommodate your daily routine by creating schedules and automations that fit your lifestyle. Our ZigBee smart home lighting products can be combined with many other ZigBee devices and platforms to build the ultimate smart home automation system.

Key Features & Benefits

- Smart lighting controlled by smartphone or tablet, as well as through voice integration
- Compatible with major smart home automation systems
- Create schedules and light scenes to enhance your experience. Group lights to control them all at once
- SMART+ System is controllable from inside the home or on the go
- Can be mounted on wall or ceiling
- Inner gray circle can be customized with your own artwork or picture
- On/Off/Dimming functions
- LED lamp adjustable between soft white, bright white, and daylight white
- Color temperature tunable between 2700-6500 Kelvin
- Life: 20,000 hours rated life*
- CRI 80+
- Suitable for use in damp locations

Product Offering

Ordering Abbreviation	Wattage	CCT	Contains
SMART+ Surface Light ADJW	28	2700-6500K	1 LED Surface Light

Application Information

Applications

- Living Rooms
- Bedrooms
- Bathrooms
- Hallways
- Stairways
- Playrooms
- Entertainment Rooms
- Entrance and Exit
- Hospitality Venues
- Restaurants

Market Segments

- Residential
- Small business

Application Notes

1. SMART+ Surface Light requires ZigBee compatible home automation hub (Sold separately)
2. Product activation requires active WiFi Network and ZigBee compatible home automation hub (must be placed in range of wireless router)
3. Lamp turns on at 2700K, 100% brightness, but can be customized using the ZigBee compatible hub
4. 2-year limited product warranty
5. Operating temperature between -4°F and +104°F (-20°C and +40°C)
6. Suitable for use in damp locations
7. Not intended for use with dimmers, emergency light fixtures or exit lights
8. Lamp dims via wireless control and will not operate with a dimmer switch, remove all existing dimmers and replace with a regular switch, leave lamp in ON position

This device complies with part 15 of the FCC Rules. Operation is subject to the following two conditions: (1) This device may not cause harmful interference, and (2) this device must accept any interference received, including interference that may cause undesired operation. For FCC Part 15 user information, please see www.sylvania.com/fcc15b

*LED Lamp lifetime is defined as the number of hours when 50% of a large group of identical lamps reaches 70% of its initial lumens.

Specifications and Certifications



Contains:
FCC ID: DZO-LDV-AETHER
IC: 11099A-LDVAETHER



Specification Data

Catalog #	Type
Project	
Comments	
Prepared by	

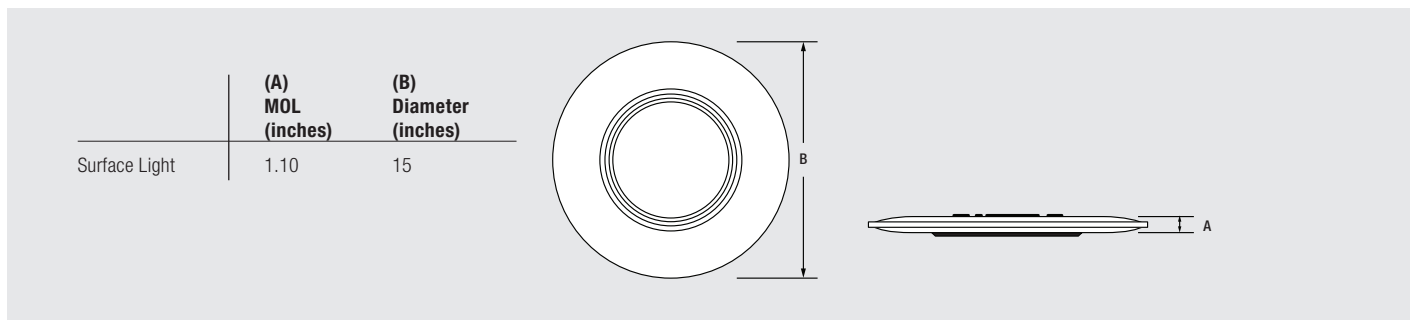
Ordering Information

Item Number	Ordering Description	Wattage	Voltage	Lumens	CCT	CRI	Life
71724	LED28SURFACEADJWZBS+	28	120	1400	2700-6500K	80+	20,000

Ordering Guide

LED	28	SURFACE	ADJW	ZB	S+
LED	Wattage: 28	Lamp Type Surface Light Fixture	Adjustable White	ZigBee	SMART+

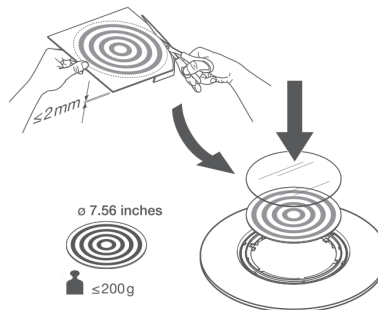
Lamp Dimensions



Customizing Display

Center ring can be removed and replaced with a customizable logo or message.

Centerplate dimensions: 7.56 inches



LEDVANCE LLC
 200 Ballardvale Street
 Wilmington, MA 01887 USA
 Phone 1-800-LIGHTBULB (1-800-544-4828)
www.sylvania.com

SYLVANIA and LEDVANCE are registered trademarks.
 All other trademarks are those of their respective owners.
 Licensee of product trademark SYLVANIA in general lighting.
 Specifications subject to change without notice.

[/sylvania](https://twitter.com/sylvania) [/sylvania](https://facebook.com/sylvania)

